



250 Route 61 South  
 Schuylkill Haven, PA 17972  
 PH: (800) 359-5350  
 FAX: (800) 969-4191  
 Email: CardinalLiners@CardinalSystemsInc.com

Liner  
 Order  
 Form

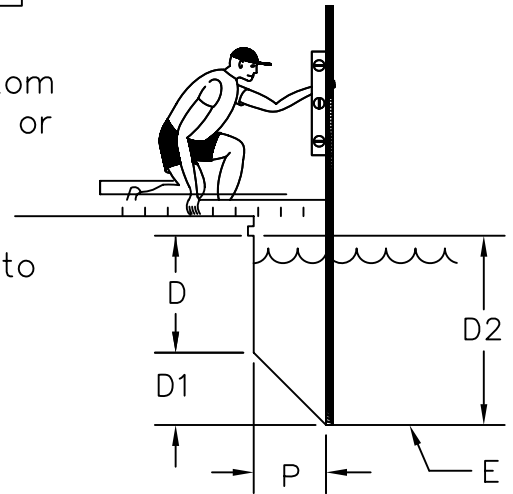
# COVERED BOTTOM

Date:	P.O. #
Dealer:	
Zip Code:	
Job Name:	

Step 1: Check type of liner Beaded  Overlap

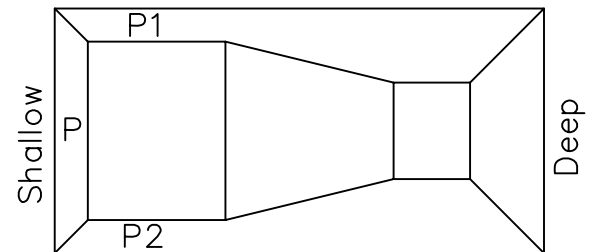
Step 2: Measure shallow depth 'D2' \_\_\_\_\_ from bottom of pool (E) to bead receiver (beaded liner) or top of pool (overlap liner).

Step 3: Measure depth 'D' \_\_\_\_\_ from top of cove to bead receiver (beaded liner) or top of pool (overlap).



Step 4: 'D2' - 'D' = 'D1' \_\_\_\_\_

Step 5: With a pole and level as shown find the spot where 'P,P1,P2' meet 'E'. Measure from pool wall to pole 'P' \_\_\_\_\_ 'P1' \_\_\_\_\_ 'P2' \_\_\_\_\_  
POLE MUST BE VERTICAL.



Do Not Measure On The Angles. Only HORIZONTAL and VERTICAL measurements can be used. See diagrams below.

